

FORM FIT INSTALLATION INSTRUCTIONS

4 Pieces - Side Window Deflectors

NISSAN VERSA SEDAN 2007 -

SD 13R 07-4

HARDWARE KIT

3M Double-sided Body Moulding Tape
- already applied to the deflector
1 - 3M Adhesive Promoter
4 - Pedestal Clips with tape applied

TOOLS REQUIRED

None

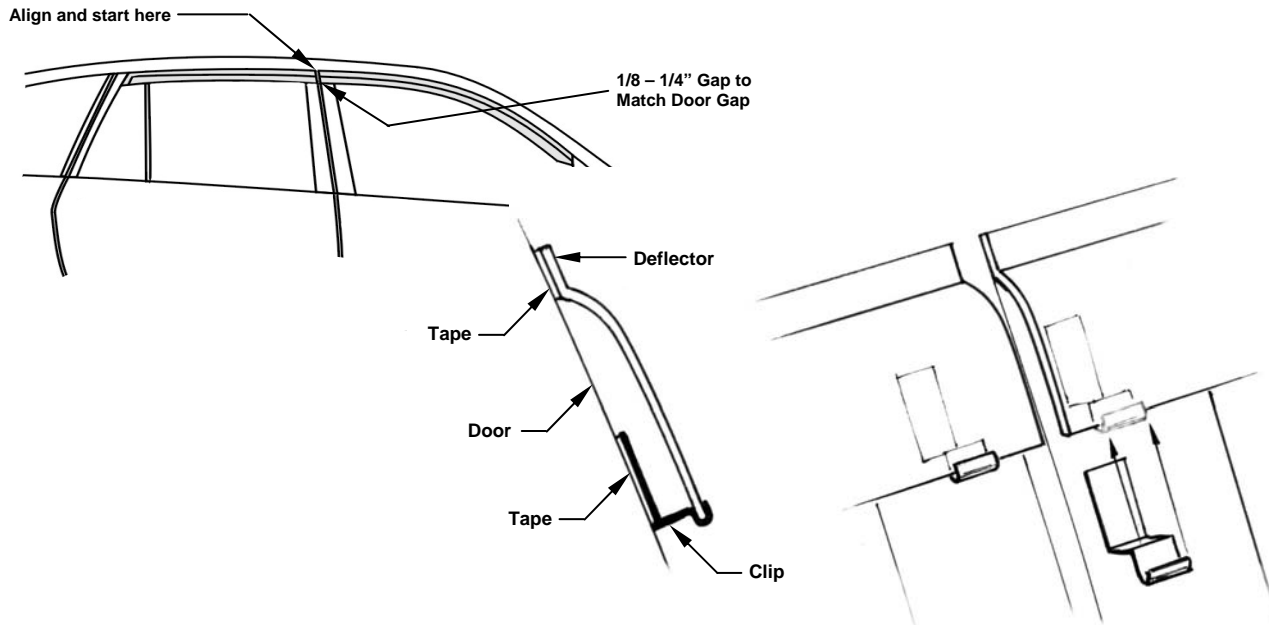
Attention: This product uses a 3M adhesive product that requires installation and curing temperatures of at least 20°C/ 70°F for 24 hours to develop maximum adhesion to the surface. **Failure to install this product at the proper temperature or allow adequate curing time before use is not covered under warranty.**

1. The deflectors mount to the window frames of the doors. Make sure that those areas are clean and dry.
2. **Start** with the Passenger's side front door of the car.
3. To understand how the deflector will fit, place the front Passenger's door deflector up to the car. Align the end of the deflector with the edge of the door as shown below. The top edge of the deflector runs flush along the top edge of the window frame.
4. Prime the contact area on the window frame with the adhesive promoter. Allow to dry. *Follow the instructions on the promoter for use.*
5. Peel the protective backing from the tape starting at the end as shown, peel only the first 30-40 cm (12-15 inches) of the protective backing from the tape on the flange of the deflector. Press the deflector into place as determined above. Work forward, removing the protective backing from the tape and pressing the part into place.
6. Once the deflector is in place press down **hard** along the entire flange area to make sure that the tape is fully adhered to the vehicle.
7. Peel, clip and adhere a pedestal clip into place as shown below. Once in position pinch the taped area firmly against the window frame to ensure full contact of the tape.
8. Repeat steps 3-7 for the remaining deflectors. When installing the rear door deflectors, start at the front end of the door and work back. **Be sure** to allow a gap between the front and rear deflectors similar to the gap between the doors.

CARE INSTRUCTIONS

Clean the deflectors with a mild soap and water solution or plastic cleaner only. Do not use chemicals or solvents. Periodically check to make sure the deflectors are secure. Avoid using automatic car washes.

ILLUSTRATION – SIDE VIEW, ALIGNMENT



Thank you for purchasing a NISSAN approved Side Window Deflector.
Retain sheet for Care Instructions and Kit Information.

Rev0.070402