

# FORM FIT HOOD PROTECTOR

Honda Odyssey 2005 -

HDW 9G 05

Thank you for purchasing a **FORM FIT** hood protector.

## Care Instructions

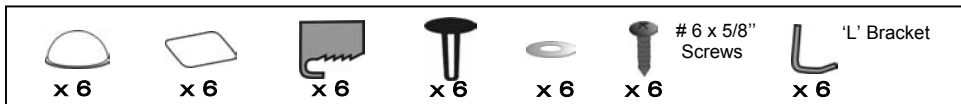
- Clean the protector with a mild soap and water solution or plastic cleaner only.
- Periodically check to make sure all the hardware is in place and the protector is secure.

## Attention!



Do not use chemicals or solvents. Avoid using automatic car washes. Do not pull on the protector when opening or closing the hood.

## Hardware Kit



## Tools Required

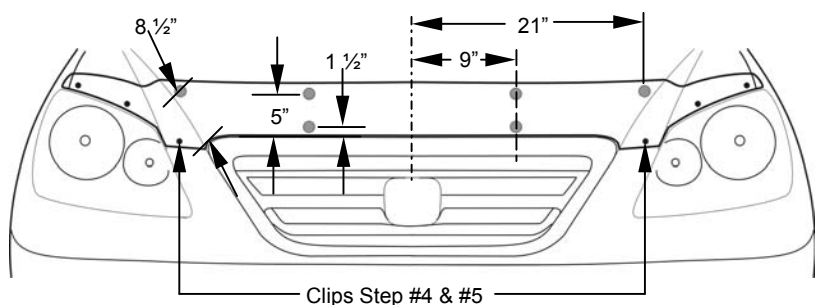


## Installation Instruction

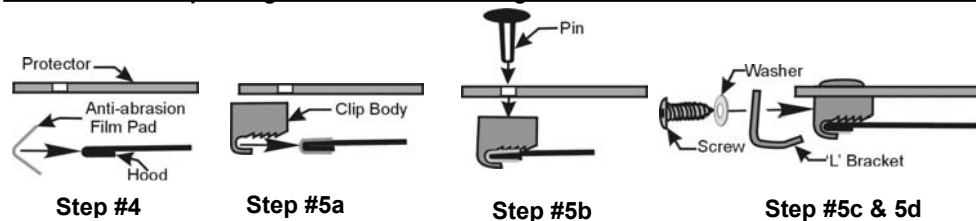
1. Be sure that the hood is clean and dry inside and out. Open the hood of the vehicle.
2. Install the bumpers as shown in *Illustration #1*. **Attention: The bumpers must be installed on the hood not the protector!!!!** If the bumpers are installed on the protector, they will wear through the paint.
3. Center the protector on the hood, resting on the bumpers.
4. Peel and fold an anti-abrasion film pad in half over the edge of the hood, underneath each of the two (2) inner holes in the protector. See *Illustrations #1 & #2 – Step 4*.
- 5a) Place a clip over each of the anti-abrasion film pads on the edge of the hood as shown below in *Illustration #2 – Step 5a*.
  - b) Insert a pin through the protector into each of the clips. See *Illustration #2 – Step 5b*.
  - c) Place a nylon washer onto a #6 x 5/8" screw, then insert the screw through an 'L'- bracket and into the clip. See *Illustration #2 – Step 5c & 5d*.
  - d) Make sure all the components are well seated together, the protector is centered on the hood, then tighten the screws into the clips.
6. Repeat steps #4 and #5 for the other four (4) holes.
7. On some vehicles it may be necessary to adjust the hood bumpers and/or latch for proper clearance.

**Note: Do not pull on the protector when opening or closing the hood.**

## Illustration # 1: Bumpon Placement and Clip Location



## Illustration # 2: Clip Configuration – Patent Pending



# FORM FIT HOOD PROTECTOR

Honda Odyssey 2005 -

HDW 9G 05

Thank you for purchasing a **FORM FIT** hood protector.

## Care Instructions

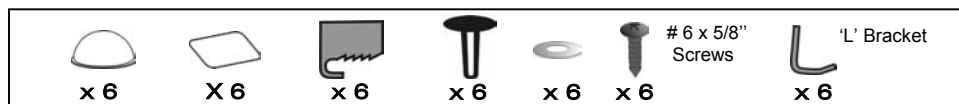
- Clean the protector with a mild soap and water solution or plastic cleaner only.
- Periodically check to make sure all the hardware is in place and the protector is secure.

## Attention!



Do not use chemicals or solvents. Avoid using automatic car washes. Do not pull on the protector when opening or closing the hood.

## Hardware Kit



## Tools Required

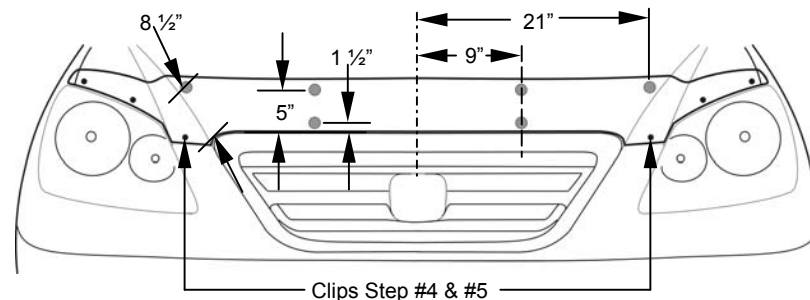


## Installation Instruction

1. Be sure that the hood is clean and dry inside and out. Open the hood of the vehicle.
2. Install the bumpers as shown in *Illustration #1*. **Attention: The bumpers must be installed on the hood not the protector!!!!** If the bumpers are installed on the protector, they will wear through the paint.
3. Center the protector on the hood, resting on the bumpers.
4. Peel and fold an anti-abrasion film pad in half over the edge of the hood, underneath each of the two (2) inner holes in the protector. See *Illustrations #1 & #2 – Step 4*.
- 5a) Place a clip over each of the anti-abrasion film pads on the edge of the hood as shown below in *Illustration #2 – Step 5a*.
  - b) Insert a pin through the protector into each of the clips. See *Illustration #2 – Step 5b*.
  - c) Place a nylon washer onto a #6 x 5/8" screw, then insert the screw through an 'L'- bracket and into the clip. See *Illustration #2 – Step 5c & 5d*.
  - d) Make sure all the components are well seated together, the protector is centered on the hood, then tighten the screws into the clips.
6. Repeat steps #4 and #5 for the other four (4) holes.
7. On some vehicles it may be necessary to adjust the hood bumpers and/or latch for proper clearance.

**Note: Do not pull on the protector when opening or closing the hood.**

## Illustration # 1: Bumpon Placement and Clip Location



## Illustration # 2: Clip Configuration – Patent Pending

