

Installation Instructions

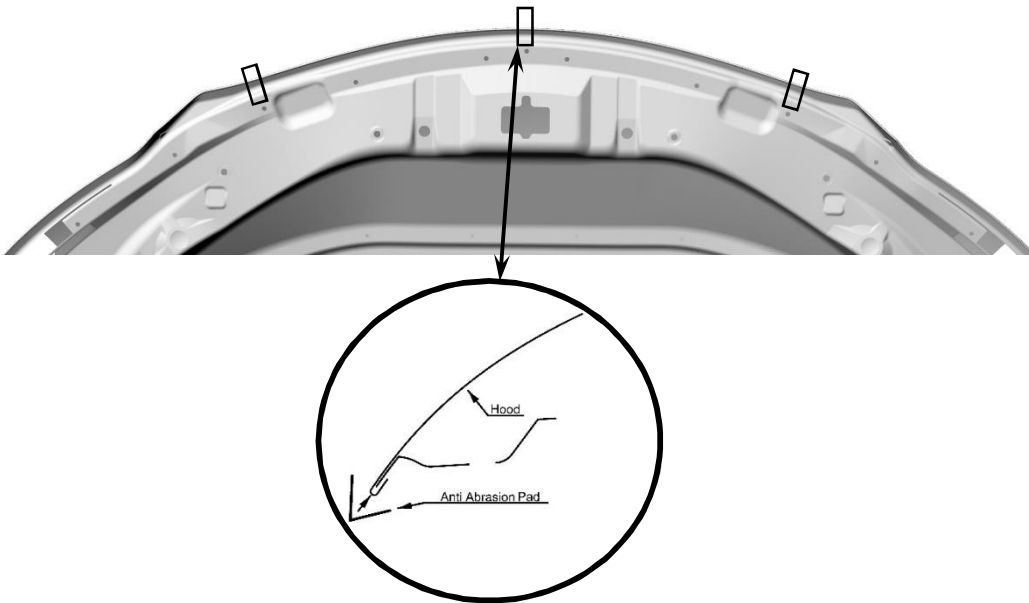
Lexus RX/RXH 2016-up

Kit Contents

	Metal mounting bracket- Type A <i>with hole</i> (1)	Screws (4)	
	Metal mounting bracket- Type B (2)	Pins (4)	
	Corner bracket (4)	Anti-abrasion pads (7)	
	Clip bodies (4)	Round Bumpons (4)	
	Push-type retainer (6)	Black Bumpons (3)	
Hood protector (1)			

Tools Required

- #2 Phillips screwdriver
- Masking tape
- Clean cloth or paper towel
- Measuring tape



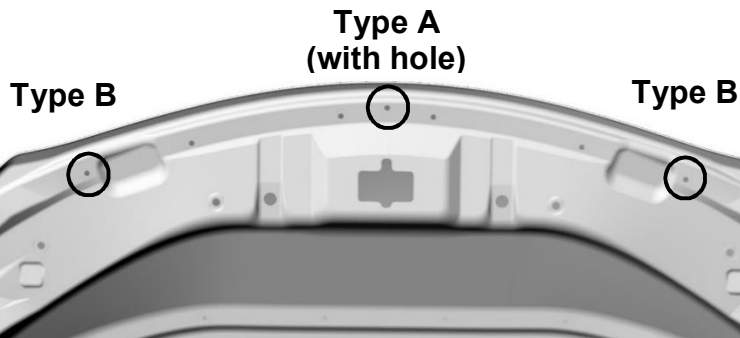
Installation Procedure

NOTE: Vehicle surface temperature should be a minimum 15 degrees Celsius.

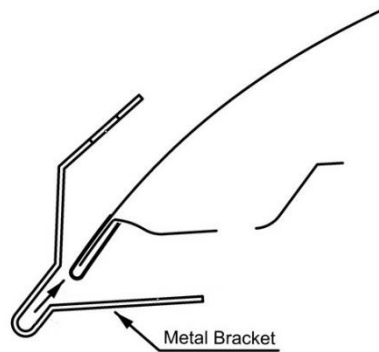
Illustrations are not to scale.

1. Be sure that the hood is clean and dry inside and out.
2. Open the hood of the vehicle. Peel and fold the anti-abrasion pads in half over the edge of the hood, in line with the 3(three) holes under the hood, as shown. *See illustration.*

Metal Bracket Guide

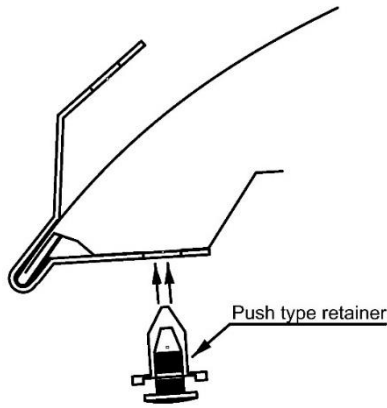


NOTE: Use the Metal Bracket Guide to determine which brackets go in the proper locations.

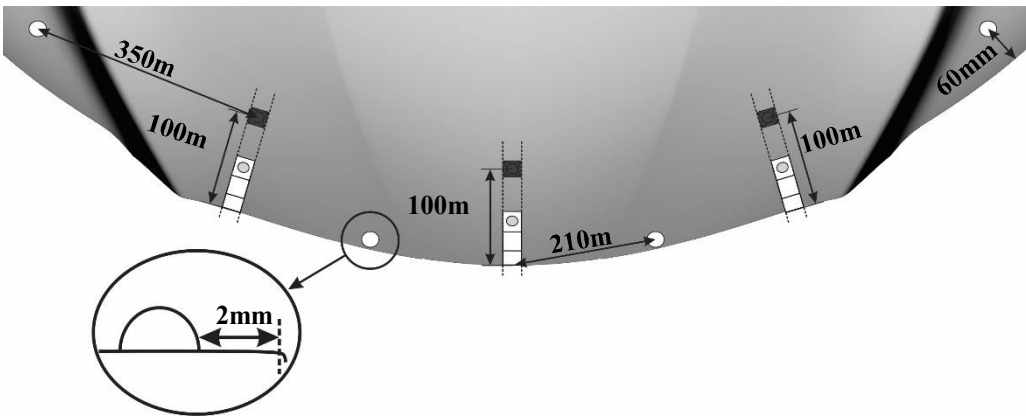


3. Install the three metal brackets on the hood edge over the anti-abrasion pads. Align the hole in the bottom leg of the bracket with the round hole in the hood. *See illustration.*

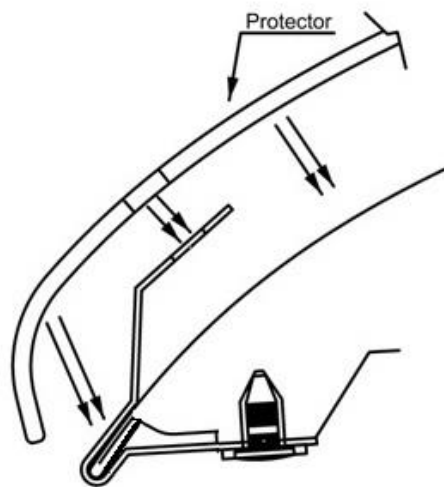




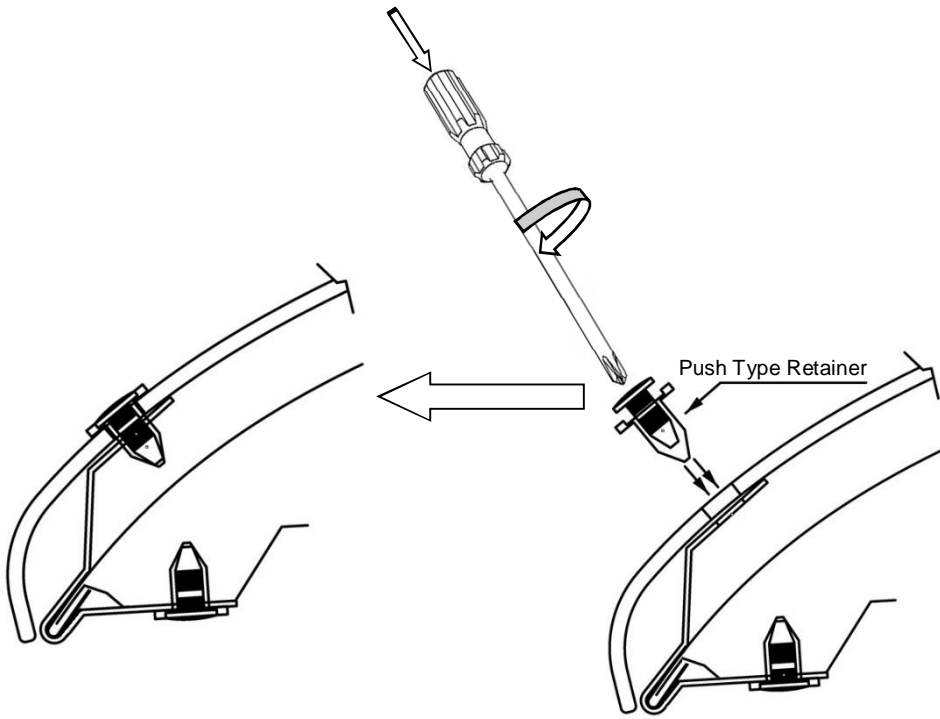
4. Install metal brackets. See *Illustration*.
- Insert a push-type retainer through the hole in the metal bracket, and into the hood.
 - Ensure the metal bracket is seated against the hood, push the center pin of the retainer followed by tightening 90 degrees to fully engage the retainer into the metal bracket. Repeat for the remaining metal bracket locations.



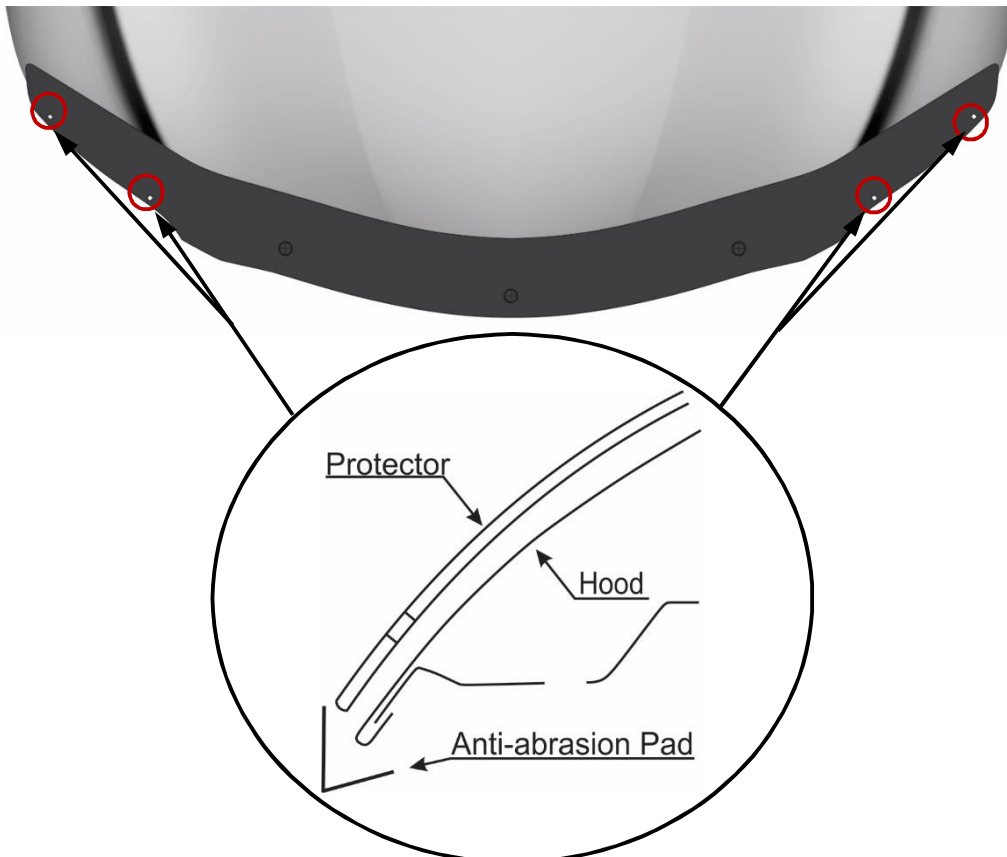
5. Install the three (3) black Bumpers behind the metal brackets and then the four (4) round Bumpers as shown. **Attention: Bumpers must be installed on the hood, not on the deflector!!!**



6. Place the hood protector on the hood, resting on the four metal brackets.



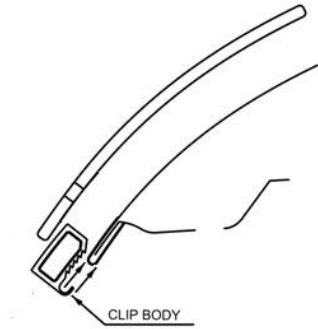
7. Align the 3 holes in the protector with the holes in the metal brackets.
 - Insert a push-type retainer through the hole in the protector, and into the bracket.
 - Ensure the protector is seated against the metal bracket, push the center pin of the retainer followed by tightening 90 degrees to fully engage the retainer into the metal bracket. Repeat for the remaining metal bracket locations.



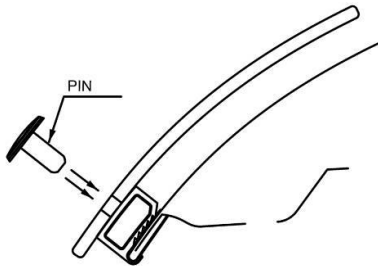
8. Peel and fold the remaining 4 anti-abrasion pads in half over the edge of the hood in line with the two holes in the protector over each of the headlights. See *Illustration*.



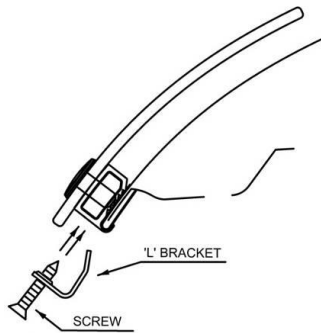
9. Place a clip body over one of the anti-abrasion pads on the edge of the hood.



10. Insert a pin through the protector and into the clip.



11. Start a screw through an L bracket and into the clip a few turns.

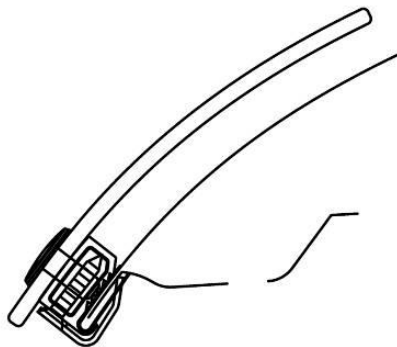


12. Repeat steps 9-11 to the remaining 3 clip assemblies.

13. Make sure all the components are well seated together; the protector is centered on the hood, and, starting at the innermost clip locations, finish tightening the screws into the clips. **Do not overtighten.**



14. On some vehicles it may be necessary to adjust the hood bumpers and/or latch for proper clearance.
Note: Do not pull on the protector when opening or closing the hood.



CARE INSTRUCTIONS

Clean the protector with a mild soap and water solution or plastic cleaner only. Do not use chemicals or solvents. Periodically check to make sure the Bumpons are in place and the protector is secure. Do not pull on the protector when opening or closing the hood.