

FORM FIT HOOD PROTECTOR

Kia Sedona 2006 -

HDW 22F 06

Hardware Kit

- 4 – Large Bumpons
- 4 – Clip Bodies
- 4 – #6 x 5/8" Screws
- 4 – Pins
- 4 – Nylon Washers
- 4 – 'L' Brackets
- 4 – 3M Anti-abrasion Film Pads

Tools Required

- 1 – Phillips Screwdriver (#2)
- 1 – Tape Measure



Installation

1. Be sure that the hood is clean and dry inside and out. Open the hood.
 2. Install the bumpons as shown in *Illustration #1*. **Attention: The bumpons must be installed on the hood, not on the protector!!!** If the bumpons are
 3. Center the protector on the hood, resting on the bumpons.
 4. Peel and fold an anti-abrasion film pad in half over the edge of the hood, underneath each of the two (2) inner holes in the protector. See *Illustrations #2 & #3 – Step 4*.
 - 5a.) Place a clip over each of the anti-abrasion film pads on the edge of the hood as shown below in *Illustration #3 – Step 5a*.
 - b) Insert a pin through the protector into each of the clips. See *Illustration #3 – Step 5b*.
 - c) Place a nylon washer onto a #6 x 5/8" screw, then insert the screw through an 'L'- bracket and into each clip. See *Illustration #3 – Steps 5c & 5d*.
 - d) Make sure all the components are well seated together; the protector is centered on the hood, and then tighten the screws into the clips.
 6. **Repeat steps #4 and #5 for the other two (2) holes.**
 7. On some vehicles it may be necessary to adjust the hood bumpers and/or latch for proper clearance.
- Note: Do not pull on the protector when opening or closing the hood.**

Care Instructions

Clean the protector with a mild soap and water solution or plastic cleaner only. Do not use chemicals or solvents. Periodically check to make sure that the bumpons are in place and that the protector is secure. Avoid using automatic car washes. Do not pull on the protector when opening or closing the hood.

Illustration #1: Bumpon Location

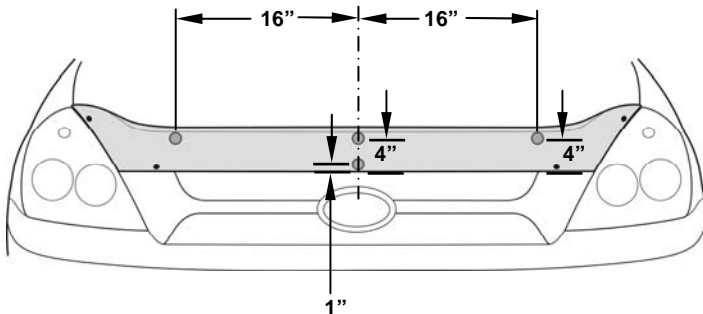


Illustration #2: Clip Placement

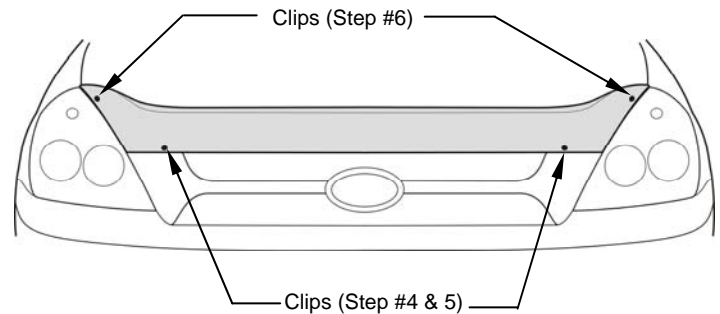
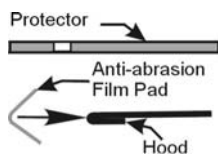
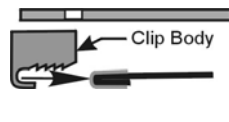


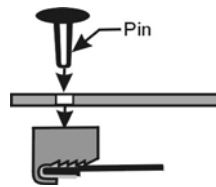
Illustration #3: Clip Configuration – Patent No. 6,892,427



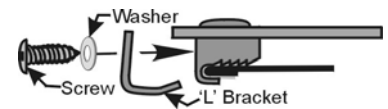
Step #4



Step #5a



Step #5b



Step #5c & 5d

Thank you for purchasing a FORM FIT hood protector. Retain this sheet for care instructions and kit information.

Made in Canada

Rev0.060307