

FORM FIT HOOD PROTECTOR

Toyota Prius C 2012 -

HD 20W 12

Kit Contents

Item #	Quantity Reqd.	Description
1	1	Hood Protector
2	1	Hardware Kit
3		

Hardware Bag Contents

Item #	Quantity Reqd.	Description
1	5	Large Bumpons
2	2	Metal Brackets
3	2	Anti-abrasion Film Pads Large
4	4	#6 x 5/8" Flat Head Screws
5	4	Pins
6	4	Push Type Retainers
7	4	Adhesive Pedestals
8	1	Alcohol Wiping Pad
9	1	Tape strip sheet (repositionable)

Additional Items Required For Installation

Item #	Quantity Reqd.	Description

Conflicts

--

Recommended Tools

Personal & Vehicle Protection	Notes
Special Tools	Notes
Installation Tools	Notes
Phillips Screwdriver #2 Long shaft	
Tape Measure	
Masking Tape	
Special Chemicals	Notes

Color Applicability/Trim Level

Accessory Color																			
Vehicle/Trim Color																			

General Applicability

--

Recommended Sequence of Application






Item #	Accessory
1	
2	
3	

*Mandatory

Vehicle Service Parts (may be required for reassembly)

Item #	Quantity Reqd.	Description
1		
2		
3		

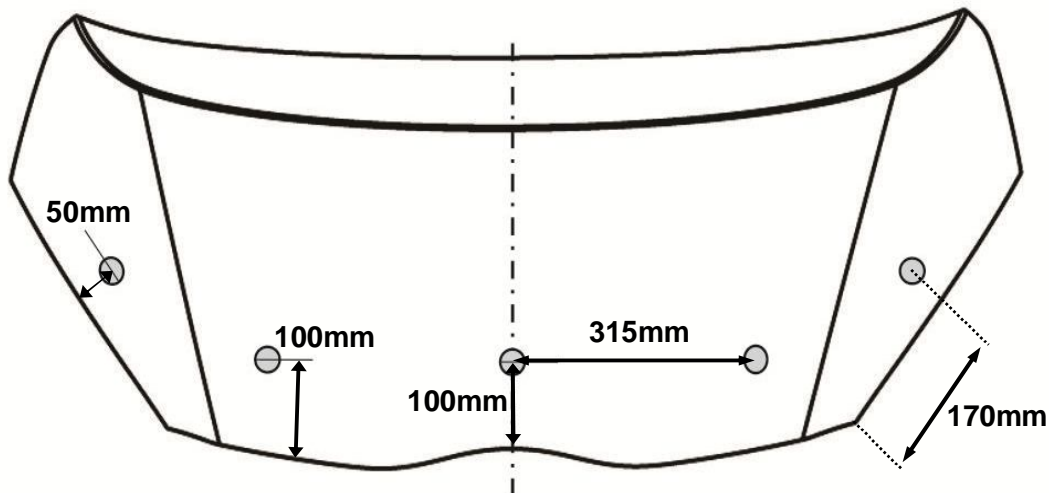
Legend

	STOP: Damage to the vehicle may occur. Do not proceed until process has been complied with.
	OPERATOR SAFETY: Use caution to avoid risk of injury.
	CAUTION: A process that must be carefully observed in order to reduce the risk of damage to the accessory/vehicle and to ensure a quality installation.
	TOOLS & EQUIPMENT: Used in Figures calls out the specific tools and equipment recommended for this process.
	REVISION MARK: This mark highlights a change in installation with respect to previous issue.

FORM FIT HOOD PROTECTOR

Toyota Prius C 2012 -

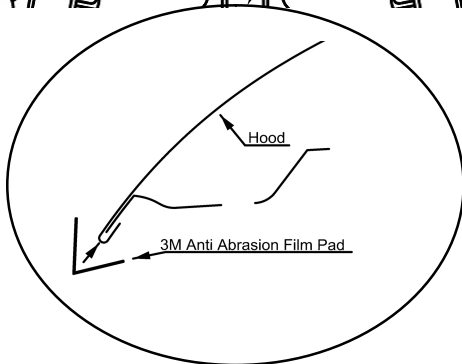
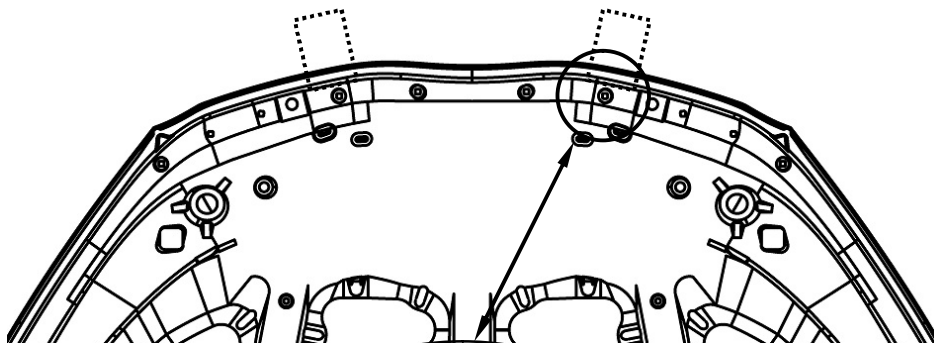
HD 20W 12



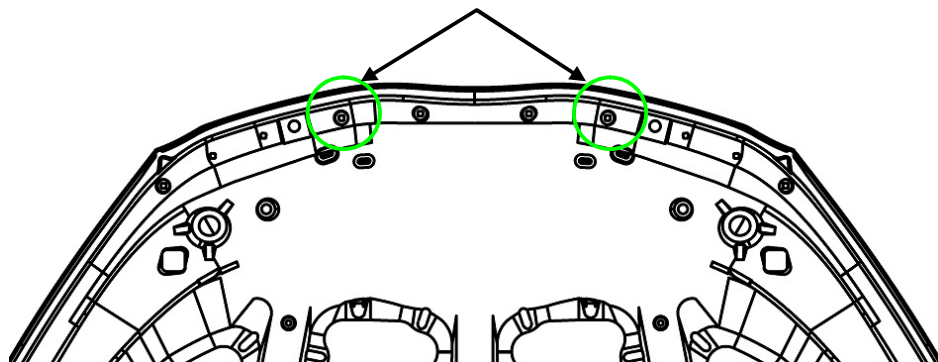
Installation Procedure

1. Be sure that the hood is clean and dry inside and out.
2. Install the five (5) bumpers as shown. **Attention: the bumpers must be installed on the hood, not on the deflector!!!** If the bumpers are installed on the deflector, they may wear through the paint. **NOTE:** Locate the center of the hood using a tape measure and place the bumpers as shown in the illustration.

Looking at underside of the hood Anti-abrasion Pad Locations



Metal Bracket Guide



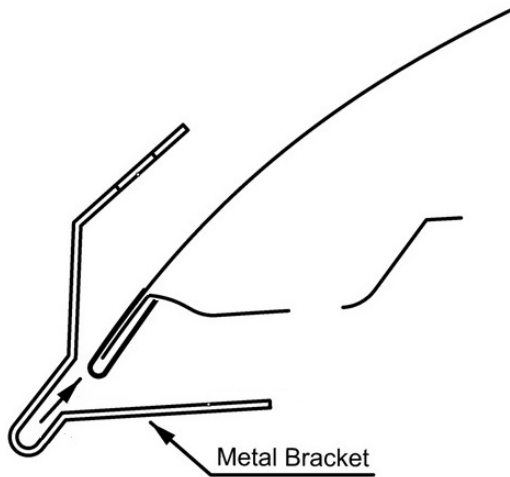
3. Open the hood of the vehicle. **!** Peel and fold anti-abrasion film pads in half over the edge of the hood, in the two (2) locations shown.

NOTE: Use the Metal Bracket Guide to determine where the Metal Brackets are installed in following steps. See *Illustration*.

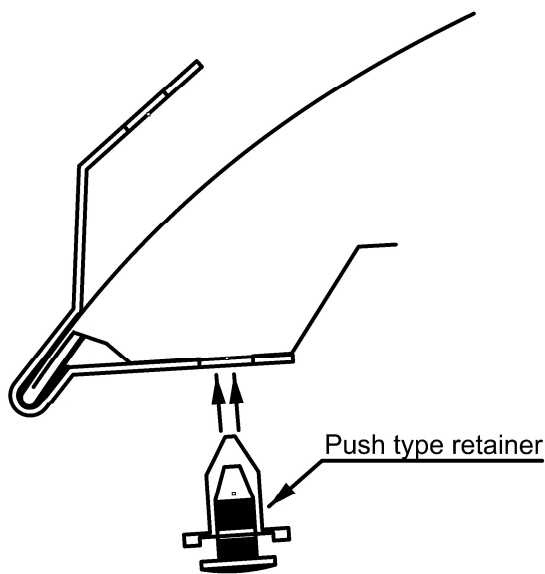
FORM FIT HOOD PROTECTOR

Toyota Prius C 2012 -

HD 20W 12



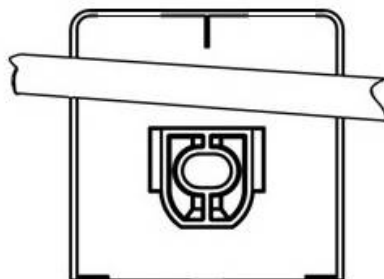
4. Install Metal Brackets over the hood edge in their correct positions. Align the hole in the bottom leg of the bracket with the round hole in the hood. See *Illustration*.



5. Insert a push type retainer through the metal bracket and into the hood. Ensure leg of the bracket is well seated against the surface of the hood and push the center pin of the retainer assembly to lock it into place. See *Illustration*.



NOTE: Engaging the center pin of the “push type retainer” is best accomplished by placing a #2 Philips drive screwdriver into the recess of the center pin. Use a light force or tap on the end of the screwdriver to seat the pin into the retainer. The retainer can be removed by unthreading the center pin in the conventional manner with a Philips screwdriver, however initial or subsequent placement is best performed using the “push” method described above.

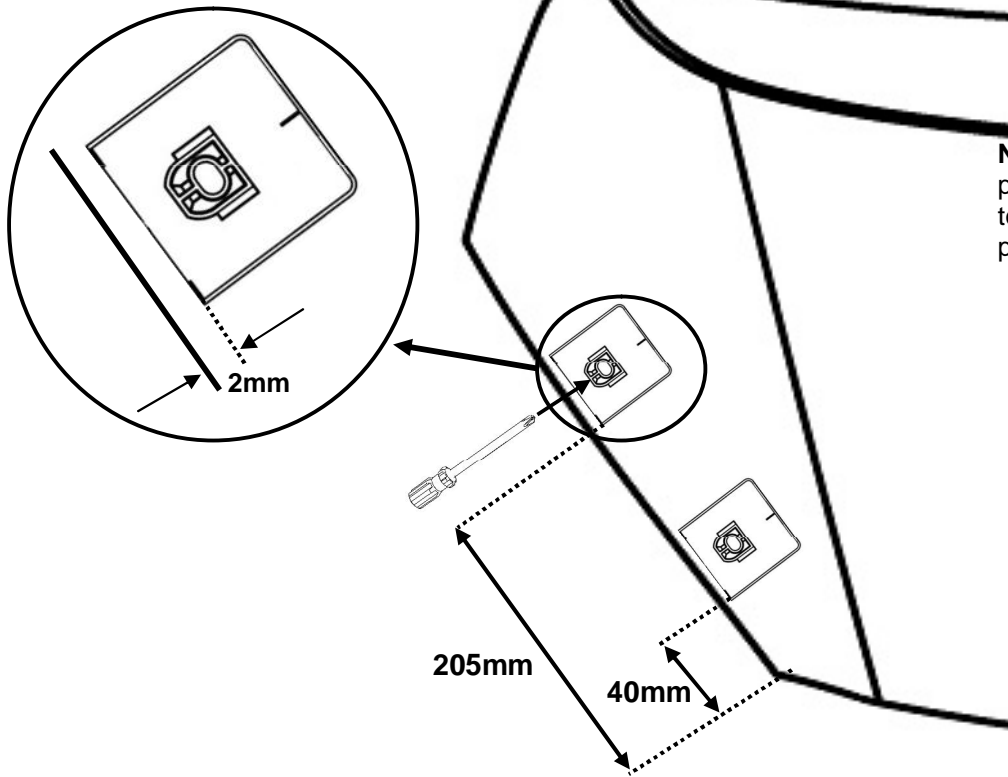


6. Dry fit the adhesive pedestals using masking tape or the repositionable tape strips supplied to hold them in position.

FORM FIT HOOD PROTECTOR

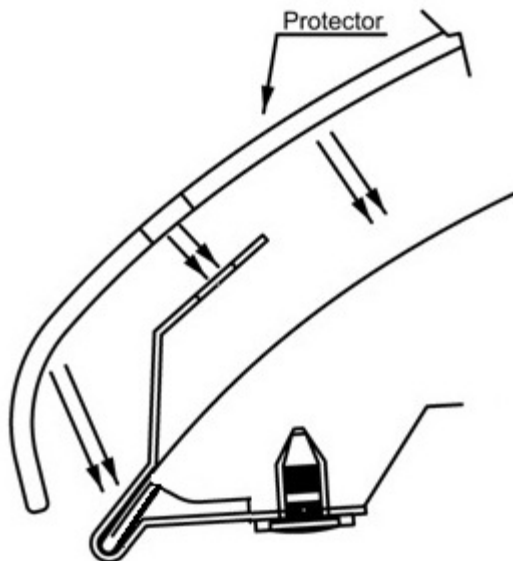
Toyota Prius C 2012 -

HD 20W 12



7. The positions of the pedestals are shown in **illustration**. Use the corner of the pedestal for the measurements. The pedestals should have an even 2mm gap from the edge of the hood to the bottom edge of the pedestal

Note: Be aware of the direction of the pedestal. Screw hole should point towards the hood edge when installed properly.

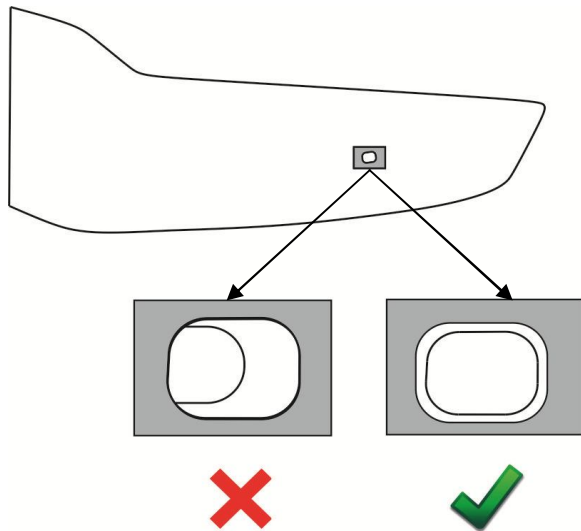


8. Place the protector temporarily onto the metal brackets aligning the holes in the protector with the holes in the metal brackets. This step will allow you to confirm the position of the adhesive pedestals.

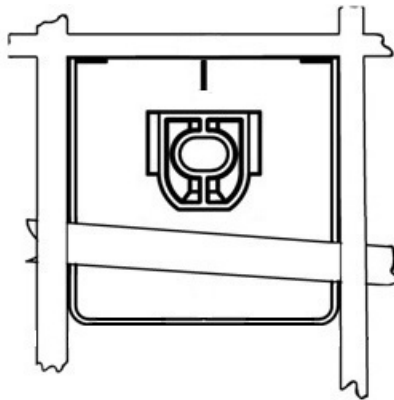
FORM FIT HOOD PROTECTOR

Toyota Prius C 2012 -

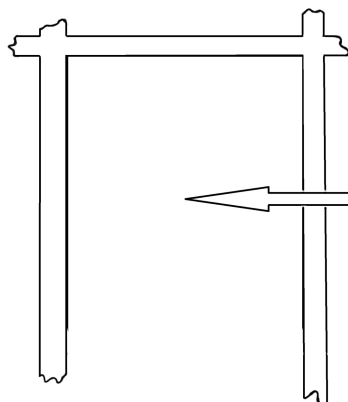
HD 20W 12



9. Confirm correct positioning of the pedestals, by adjusting the pedestal position on the hood to align with the holes in the hood protector.



10. Remove the hood protector, and outline the perimeter of the pedestals with masking tape or the repositionable tape strips supplied to help final installation.

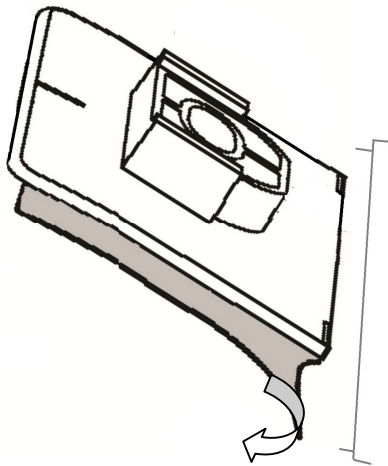


11. Remove the pedestals and thoroughly clean the outlined area with the alcohol wiping pad. This will insure all wax, finger prints and oils are removed from the hood surface in the bonding area.

FORM FIT HOOD PROTECTOR

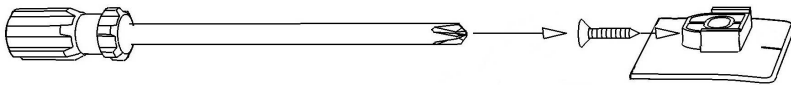
Toyota Prius C 2012 -

HD 20W 12



12. Remove the protective backing from the adhesive on the pedestals and install on the hood surface.

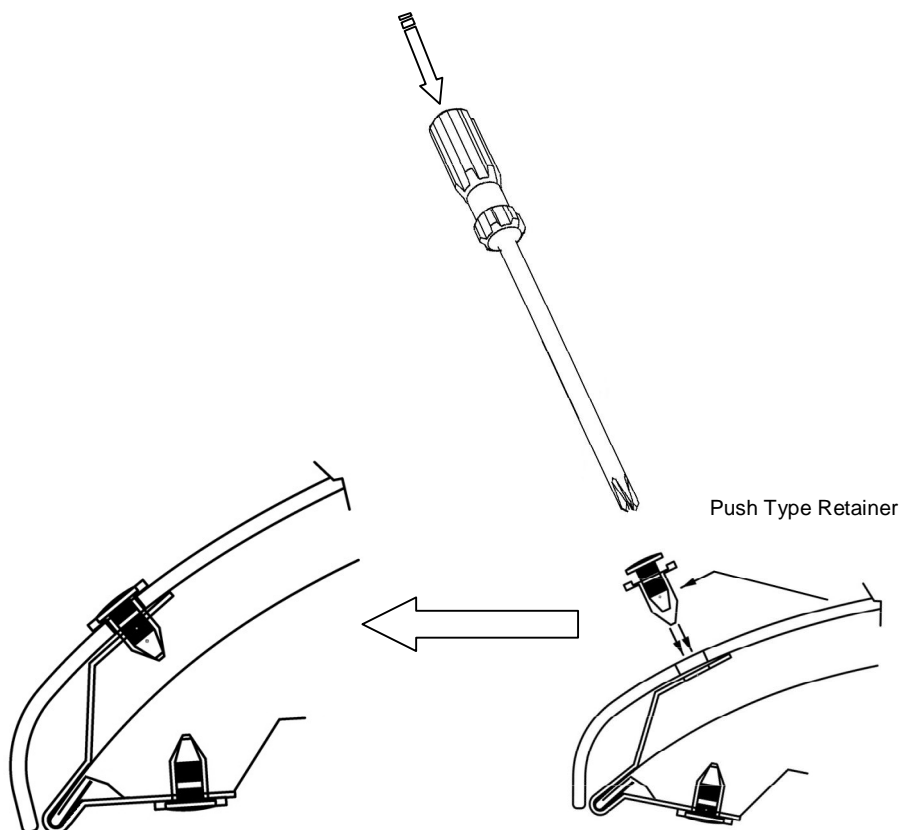
After installation, remove the masking tape and “wet out” the tape to the hood surface by applying pressure with your thumb around the surface of the pedestals.

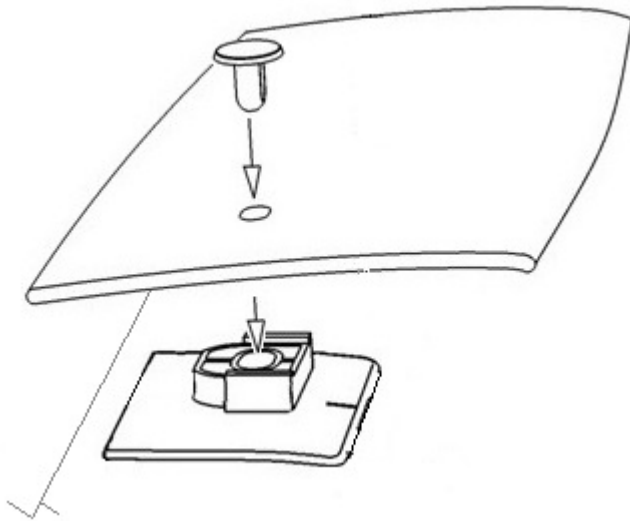


13. Start a #6 x 5/8 flat head screw into each pedestal a few turns. The tip of the screw must not protrude into the hole where the attachment pin will install later.

14. Place the hood protector on the hood resting on the two (2) metal brackets; align the 2 center holes in the protector with the holes in the metal brackets. Insert a “push type retainer” through the hole in the protector, and into the bracket. Ensure the protector is well seated against the surface of the metal bracket, and push the center pin of the retainer assembly to lock it into place.

NOTE: Engaging the center pin of the “push type retainer” is best accomplished by placing a #2 Philips drive screwdriver into the recess of the center pin. Use a light force or tap on the end of the screwdriver to seat the pin into the retainer. The retainer can be removed by unthreading the center pin in the conventional manner with a Philips screwdriver, however initial or subsequent placement is best performed using the “push” method described above.





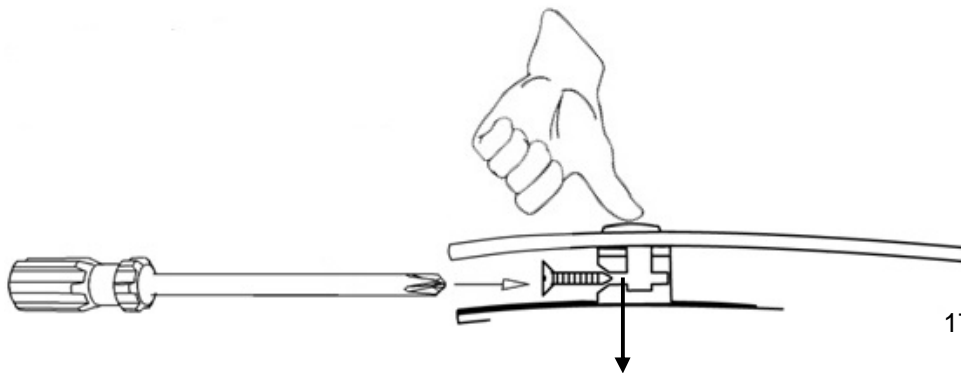
15. At the pedestal locations, drop a pin through the protector and into the pedestal.

16. Maintain slight pressure on the pin, to ensure proper seating of the components, while simultaneously tightening the screw.



CAUTION: Be sure to take care not to scratch or damage the hood surface while tightening the screw.

NOTE: Proper installation of the adhesive pedestal system requires the use of a #2 Phillips screwdriver, preferably with a long shaft. Use of the correct screw driver will facilitate a trouble free installation. Do not attempt to use #1 or smaller Phillips screwdriver or any type of electric screwdriver. **See illustration.**



17. On some vehicles it may be necessary to adjust the hood bumpers and/or latch for proper clearance.

Note: Do not pull on the protector when opening or closing the hood.

CAUTION: Do not expose the vehicle/hood protector to extreme environments (weather) or car washes for a 24 hour period following the installation to allow the adhesive pedestals sufficient time to reach full bond strength.



CARE INSTRUCTIONS

Clean the protector with a mild soap and water solution or plastic cleaner only. Do not use chemicals or solvents.

Periodically check to make sure the bumpons are in place and the protector is secure.

Avoid using automatic car washes. Do not pull on the protector when opening or closing the hood.