

FORM FIT HOOD PROTECTOR

NISSAN MURANO 2009 -

HD 13L 09

HARDWARE KIT

8 – Large Bumpons	2 – Clip Bodies
3 – Plastic Expansion Plugs	2 – 'L' Brackets
3 – # 6 x 1/2" Pan Head Screws	2 – # 6 x 5/8" Flat Head Screws
2 – 3M Anti-Abrasion Film Pads	2 – Pins

TOOLS REQUIRED

1 – Phillips Screwdriver # 2
1 – Tape Measure



1. Be sure that the hood is clean and dry inside and out. Release the hood, but do not open it.
 2. Install the bumpons as shown in *Illustration #1*. **Attention: The bumpons must be installed on the hood, not on the protector!!!** If the bumpons are installed on the protector, they will wear through the paint.
 3. Open the hood of the vehicle. Remove and discard three (3) fasteners holding the hood seal in place as shown in *Illustration #2*. The first one is located **40mm** off center to the passenger side of the vehicle, the second one **340mm** off the center to the passenger side, and the third one **300mm** to the driver side from the center of the vehicle.
 4. Install the protector. Make sure the mounting flanges on the protector are installed under the hood seal, and the protector is centered. Install the three (3) plastic expansion plugs through the hood seal, through the protector and into the hole in the hood. Install the #6 x 1/2" pan head sheet metal screws into the expansion plugs. See *Illustration #2*.
- Note:** Be sure to fully seat the plastic expansion plugs into the hole in the hood. The job of the #6 x 1/2" screw is to expand the legs of the expansion plug into the hole; it will not draw the components together.
5. With the protector centered on the hood, peel and fold an anti-abrasion film pad in half over the edge of the hood, underneath each of the two (2) outer holes in the protector. See *Illustrations #3 – Step #5*.
 6. a) Place a clip over each of the anti-abrasion film pads on the edge of the hood as shown below in *Illustration #3 – Step #6a*.
b) Insert a pin through the protector into each of the clips. See *Illustration #3 – Step #6b*.
c) Insert a #6 x 5/8" screw through an 'L'- bracket and into the clip. See *Illustration #3 – Step #6c & 6d*.
d) Make sure all the components are well seated together; the protector is centered on the hood, and then tighten the screws into the clips.
 7. On some vehicles it may be necessary to adjust the hood bumpers and/or latch for proper clearance.
Note: Do not pull on the protector when opening or closing the hood.

CARE INSTRUCTIONS

Clean the protector with a mild soap and water solution or plastic cleaner only. Do not use chemicals or solvents. Periodically check to make sure the bumpons are in place and the protector is secure. Avoid using automatic car washes. Do not pull on protector when opening or closing the hood.

Illustration # 1 – Bumpon Placement

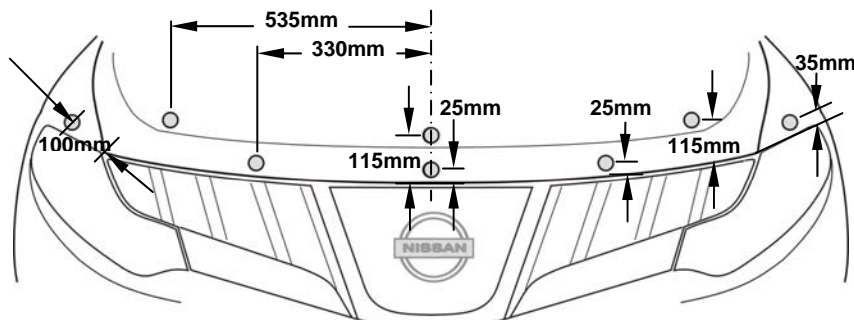


Illustration # 2 – Looking at underside of the hood – Expansion Plugs Location

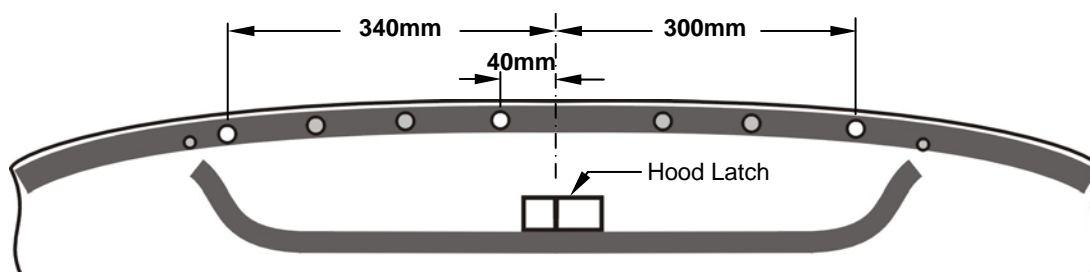
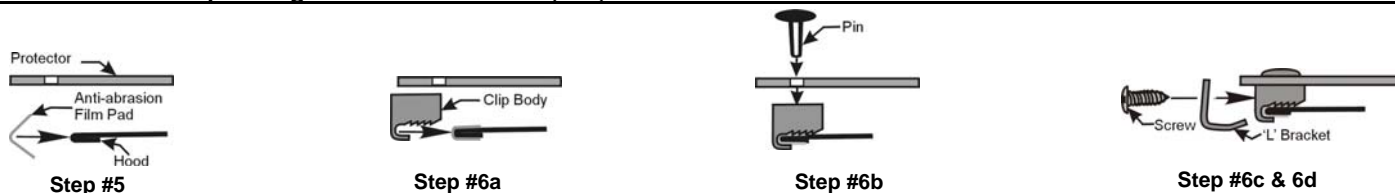


Illustration # 3 – Clip Configuration – Patent No. 6,892,427



Thank you for purchasing a **FORM FIT** hood protector. Retain this sheet for care instructions and kit information.

Made in Canada

Rev1.100129