

FORM FIT HOOD PROTECTOR

Nissan Sentra 2004-2006

HD 13B 04

Hardware Kit

- 4- Large Bumpons
- 4- 3M Anti-Abrasion Film Pads
- 4 - Black "C" Clips
- 4 - # 6 x 3/8" Screws
- 4 - # 4 x 3/16" Screws

Tools Required

- 1 - Phillips Screwdriver # 2
- 1 - Phillips Screwdriver # 1



Installation

1. Open the hood. Be sure that the hood is clean and dry, inside and out.
2. Stick one bumpon, centered on the leading edge of the hood as shown below. See *Illustration #1*.
3. Center the protector on the hood. Attach the anti-abrasion film pads to the hood in line with the holes in the leading edge of the protector. Make sure to cover at least 1/2" of the underside of the hood. See *Illustration #2*.
4. Slide the "C" clips over the edge of the hood in line with the holes in the protector. Be sure that the "C" clips are well seated against the hood; it may be necessary to tap on the clips.
5. Be sure that the hole in the top of the clips lines up in the hole in the protector, and then tighten # 6 x 3/8" screws through the protector and into the top part of the "C" clips. **Do not over tighten.** See *Illustration #2*.
6. Make sure the protector is centered, and then tighten each of the # 4 x 3/16" screws into the bottom of the "C" clips. **Do not over tighten.** See *Illustration #2*.
7. Install the remaining three (3) bumpons as shown in *Illustration #1*. **Attention: the bumpons must be installed on the hood, not on the protector!!!** If the bumpons are installed on the protector, they will wear through the paint.
8. On some vehicles it may be necessary to adjust the hood bumpers and/or latch for proper clearance.

Note: Do not pull on the protector when opening or closing the hood.

Illustration #1 – Bumpon Location

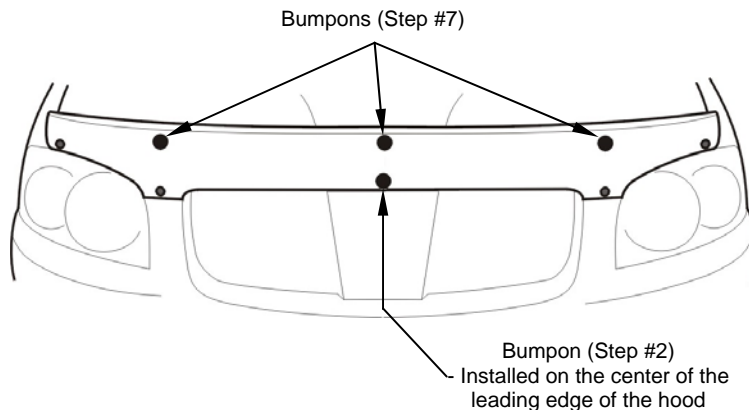
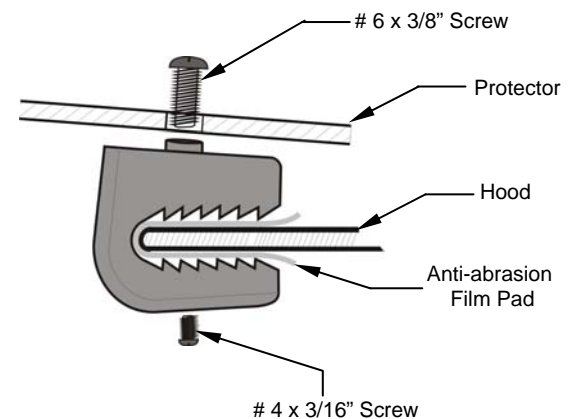


Illustration #2 – Clip Configuration



Care Instructions

Clean the protector with a mild soap and water solution or plastic cleaner only. Do not use chemicals or solvents.

Periodically check to make sure the bumpons are in place and the protector is secure. **Avoid using automatic car washes.** Do not pull on the protector when opening or closing the hood.

Thank you for purchasing a **FORM FIT** hood protector.
Retain this sheet for care instructions and hardware kit information.



Rev1.080107