

# FORM FIT HOOD PROTECTOR

Hyundai Santa Fe 2007 -

HDW 10G 07

## Hardware Kit

- 2 – Large Bumpons
- 6 – Anti-Abrasion Film Pads
- 6 – Clip Bodies
- 6 – Pins
- 6 – # 6 x 5/8" Flat Head Screws
- 6 – 'L' Brackets

## Tools Required

- 1 – Phillips Screwdriver # 2
- 1 – Tape Measure



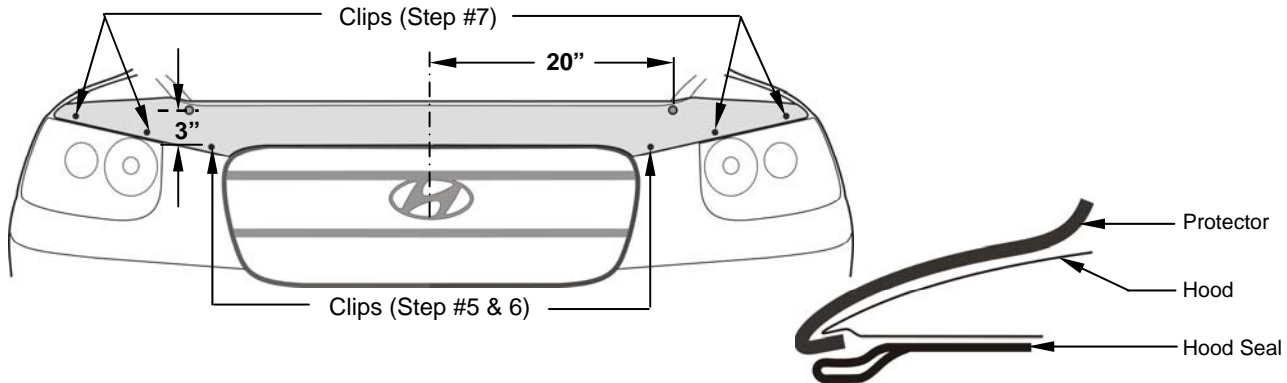
## Installation

1. Be sure that the hood is clean and dry inside and out.
2. Install the bumpons on the hood as shown in *illustration #1*. **Attention: The bumpons must be installed on the hood not on the protector!!!!** If the bumpons are installed on protector, they will wear through the paint.
3. Center the protector on the hood and rest it on the bumpons.
4. Ensure the flange on the hood protector is inserted between the hood and the hood seal. See *illustrations #1*.
5. Peel and fold the anti-abrasion film pads in half over the edge of the hood. Place them underneath the two (2) inner holes on the protector. See *illustrations #1 & #2 – Step 5*.
6. a) Place a clip over each of the anti-abrasion film pads. See *illustration #2 – Step 6a*.  
b) Insert a pin through the protector and into each of the clips. See *illustration #2 – Step 6b*.  
c) Insert the #6 x 5/8" screw through the 'L'-bracket and into the clip. See *illustration #2 – Step 6c & 6d*.  
d) Make sure all the components are well seated together and that the protector is centered on the hood. Tighten the screws into the clips.
7. **Repeat step #5 and #6 for the remaining four (4) holes.**
8. On some vehicles it may be necessary to adjust the hood bumpers and/or latch for proper clearance.  
**Note: Do not pull on the protector when opening or closing the hood.**

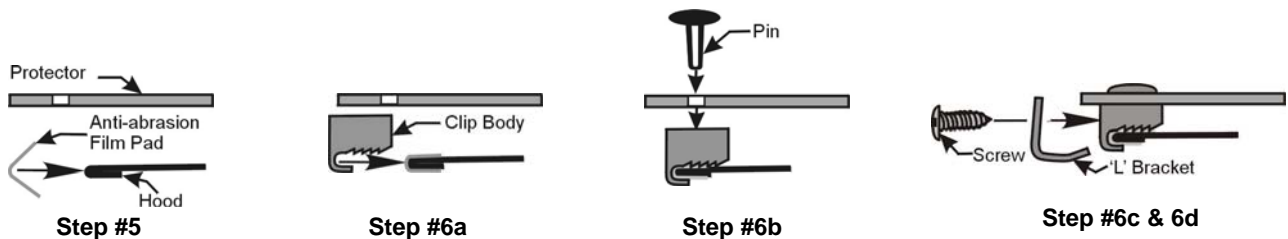
## Care Instruction

Clean the protector with a mild soap and water solution or plastic cleaner only. Do not use chemicals or solvents. Periodically check to make sure that all hardware is in place and that the protector is secure. Avoid using automatic car washes. Do not pull on the protector when opening or closing the hood.

## Illustration #1: Bumpons and Clips Location



## Illustration #2: Clip Configuration – Patent No. 6,892,427



Thank you for purchasing a **FORM FIT** hood protector.  
Retain this sheet for care instructions and kit information  
Made in Canada

Rev1.100129